

QUICK START GUIDE

RENSAIR AirBubbl

Thank you for buying an AirBubb!
Soon you and your passengers will be breathing
healthy air in your car.

To access the full manual and to register
your product please visit:

rensair.co.uk

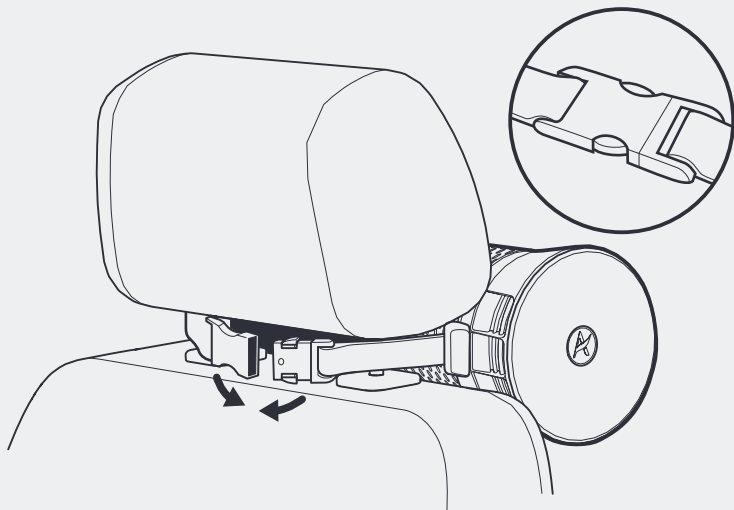


There are a few simple steps to get your AirBubbl up and running. It can be operated manually using the button, or using the AirBubbl app.

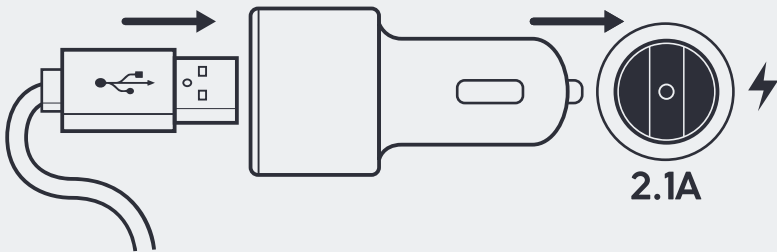
Download the AirBubbl app to remote control the AirBubbl, register your AirBubbl and buy replacement filters. Available on the App Store and Google Play Store.

App Store is a service mark of Apple Inc.
Google Play is a trademark of Google LLC.

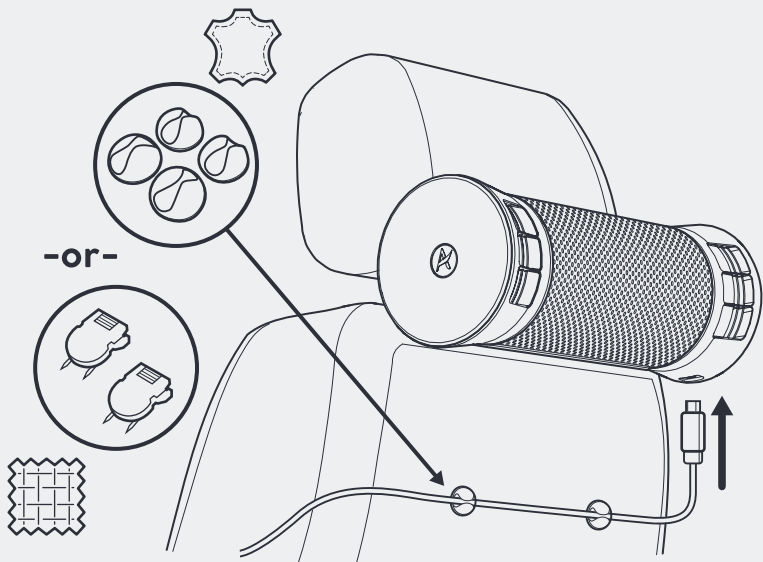
1



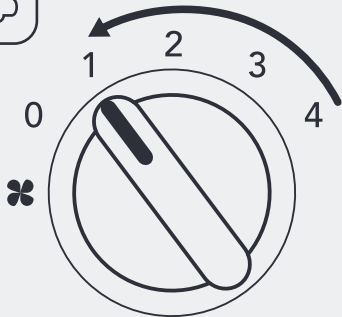
2



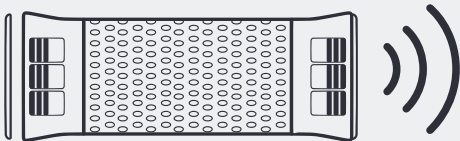
3



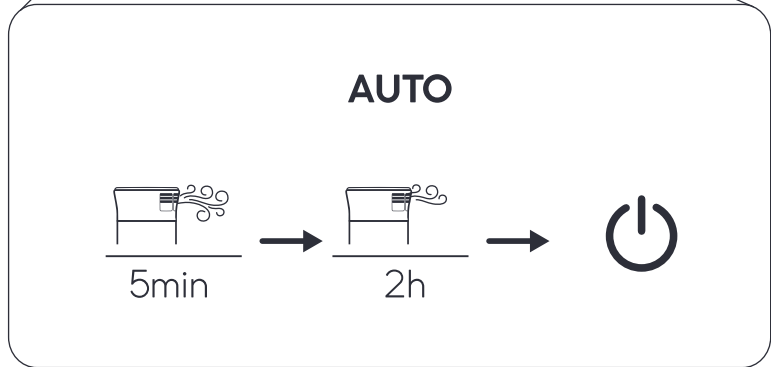
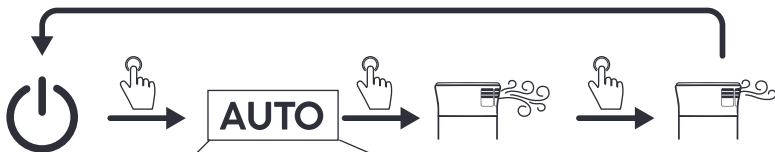
4



5



MANUAL CYCLE



LED LIGHTS

Pulsing Blue Standby mode

Steady Blue The AirBubbl is connected to Bluetooth

Flashing Red It is time to change the filter

Steady Red Boost mode in Manual cycle

Pulsing Red Boost mode in Auto cycle

Steady Green Normal mode in Manual cycle

Pulsing Green Normal mode in Auto cycle

WARNINGS

Your airbubbl will use a very low level of power when in standby mode. If your car continues to supply power to its outlets when the key is removed then the AirBubbl should be unplugged if leaving the car switched off for an extended period.

Do not install the AirBubbl where it will interfere with any air bags or active headrests.

LEGAL

Any changes or modifications not expressly approved by Rensair Limited could void the user's authority to operate the equipment.

Product: AirBubbl

Version: 1.1 FCC

ID: 2AQ2U-AB1-1

This device complies with part 15 of the FCC Rules. Operation is subject to the following two conditions:

(1) This device may not cause harmful interference, and (2) this device must accept any interference received, including interference that may cause undesired operation.

Note: This equipment has been tested and found to comply with the limits for a Class B digital device, pursuant to part 15 of the FCC Rules. These limits are designed to provide reasonable protection against harmful interference in a residential installation.

This equipment generates, uses and can radiate radio frequency energy and, if not installed and used in accordance with the instructions, may cause harmful interference to radio communications. However, there is no guarantee that interference will not occur in a particular installation. If this equipment does cause harmful interference to radio or television reception, which can be determined by turning the equipment off and on, the user is encouraged to try to correct the interference by one or more of the following measures:

- Reorient or relocate the receiving antenna.
- Increase the separation between the equipment and receiver.
- Connect the equipment into an outlet on a circuit different from that to which the receiver is connected.
- Consult the dealer or an experienced radio/TV technician for help.

This equipment complies with FCC radiation exposure limits set forth for an uncontrolled environment.

This transmitter must not be co-located or operating in conjunction with any other antenna or transmitter.

The AirBubbl operates in the 2402 Mhz - 2480 Mhz frequency band. Its maximum output power is 0.1 mW.

SIMPLIFIED EU DECLARATION OF CONFORMITY

Hereby, Rensair Limited declares that this product is in compliance with Directives 2014/53/EU and 2014/30/EU. The full text of the EU declaration of conformity is available at: www.airbubbl.com

Rensair Limited

Lincoln House, 296 – 302 High Holborn, London WC1V 7JH, United Kingdom

For questions or comments please contact

support@rensair.com

RENSAIR

Clean Air. Certified.

V1.2 24/08/2022 © Rensair Limited